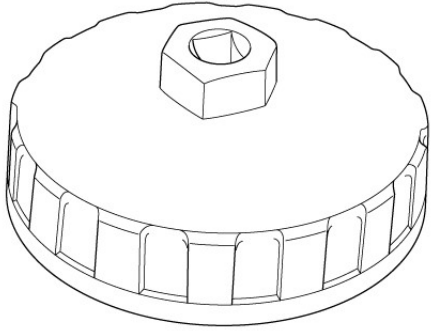


**Fuel Filter Element Removal and Installation**

## Special Tool Required

Image	Description/Tool Number
	Fuel Filter Wrench 070AA-RL00200

**Removal****1. Cowl Cover and Dashboard Upper Lid - Remove**

1. [Remove the cowl cover and the dashboard upper lid.](#)

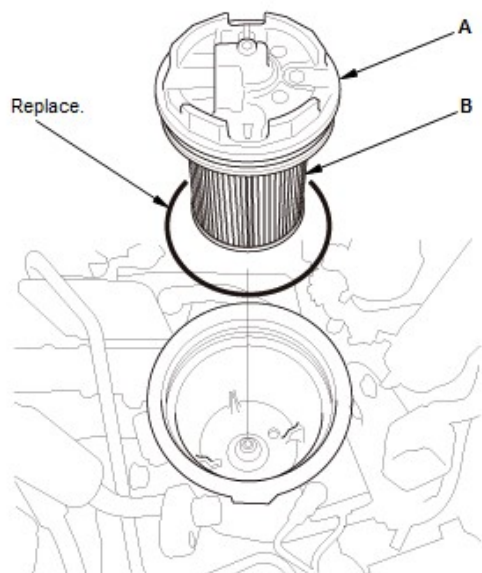
**2. Air Cleaner - Remove**

1. [Remove the air cleaner.](#)

**3. Fuel Filter - Water Bleed**

1. [Do the fuel filter water bleeding.](#)

**4. Fuel Filter Element - Remove**

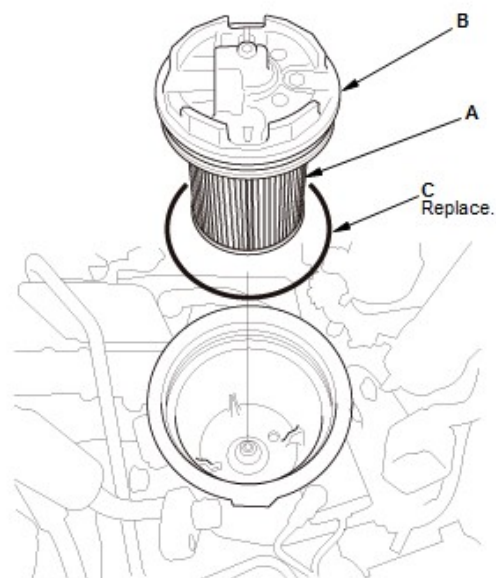


1. Remove the fuel filter cap (A) using the fuel filter wrench.
2. Remove the fuel filter element (B) from the fuel filter cap.

NOTE: Clean inside of the fuel filter housing, if needed.

### Installation

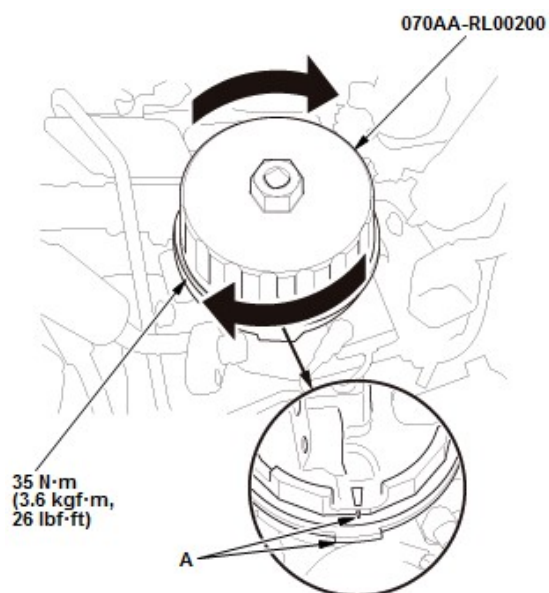
#### 1. Fuel Filter Element - Install



1. Install the fuel filter element (A) to the fuel filter cap (B) with a new O-ring (C).

NOTE: Coat the new O-ring with clean fuel.

2. Tighten the fuel filter cap by hand, then tighten it using the special tool.



NOTE: After tightening, make sure the marks (A) are aligned.

## 2. Air Cleaner - Install

1. [Install the air cleaner.](#)

## 3. Cowl Cover and Dashboard Upper Lid - Install

1. [Install the cowl cover and the dashboard upper lid.](#)

## 4. Fuel Leak - Check

1. Turn the ignition switch to ON (II), or press the engine start/stop button to select the ON mode, wait about 40 seconds, then check for fuel leakage.